



EVO

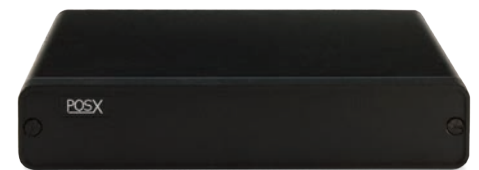
PC4 Retail Box

The POS-X EVO PC4 Series Retail Box is our most innovative, compact POS Computer to date. Incorporating the latest energy-efficient CPU technology, the Retail Box's Intel® Atom D525 chipset provides Dual-Core performance while utilizing a fraction of the energy needed to power a typical desktop computer. In addition, the Retail Box's petite footprint and optional wall brackets allow for easy installation under the counter or beside the register.



Key Features

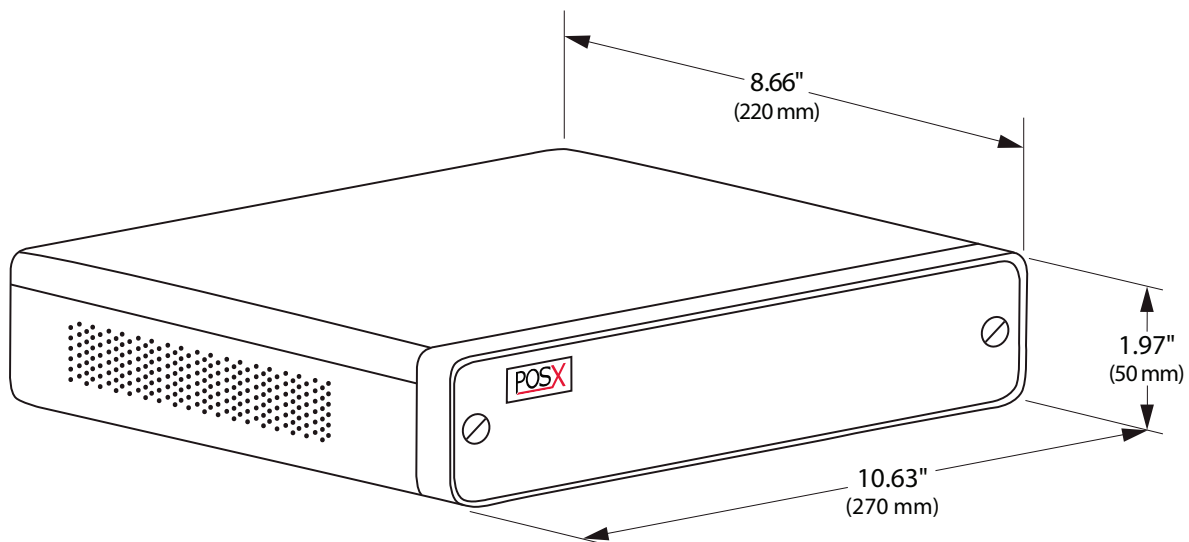
- CPU: Intel® 1.8GHz Atom Dual-Core
- 2GB DDR3 RAM upgradable up to 4GB
- Ultra compact design for clean installs
- Wall mounting brackets (optional)
- Stable Intel® Chipset
- 3-year Advance Exchange Warranty



retail box

EVO-PC4 Specifications

PART NUMBER		EVO-PC4 Retail Box
PERFORMANCE		
Motherboard	D525	
CPU	Intel® Atom 1.8GHZ Dual Core	
Chip Set	Intel® PCH ICH8M FSB 800 MHz	
System Memory	1-4GB DDRIII	
Hard Drive	32GB SSD	
Operating System	None/Win 2000/Win 2000 Pro/XP Home/XP Pro/Windows POS Ready 2009/Win 7/Linux	
Video	Integrated Intel® GMA® 3150 Graphics Engine 224MB Shared Video	
PORTS		
USB	6 x USB2	
Serial	4 x RJ45 COM (COM 1, COM2, COM3 RS232, COM4 with 5V/12V)	
LAN	RJ45 x 1 10/100/1000MB/S LAN	
PHYSICAL		
Housing	Metal Housing	
Weight	4.2 lbs	
Dimensions	10.63" W x 8.66" D x 1.97" H	
Housing	Metal Housing	
Housing Color	Black	
ELECTRICAL		
Power	External Power Adapter 110V input/19V, 65W output	
ENVIRONMENTAL		
Temperature	41°F to 95°F operating	
Humidity	20%-80% non-condensing	
Shock Resistance	Operating shock 5g	
OTHER		
Warranty	3-Year Advanced Exchange Limited	
Certifications	FCC Class A, CE, RoHs, Energy Star Class A	



POS-X, Inc. | 1975 Midway Lane Suite O | Bellingham, WA 98226
 sales@pos-x.com | tel 1.800.790.8657 | fax 360.738.3495

www.pos-x.com