



BUILT TO RUN 24 X 7 X 365 CONTINUOUSLY

46RNC



SURVEILLANCE SECURITY VIDEO WALL SOLUTIONS

OIC Korea is leading the market as being an expert in control room solutions for broadcasting, telecommunications, public utilities, process control, traffic control, surveillance and command & control applications. Our LCD video wall solutions are ideal for Emergency Operations Centers, traffic and surveillance centers, and utilities and process control rooms.

Unlike plasma technology, LCD video walls require less power consumption and with auto pixel shift built in they are not subject to permanent, irreversible burn-in. Unlike LCD's that have gaps / space between each monitor, tiled video walls offer more flexibility, scalability and the possibility for a higher resolution.



Totally Flexible

Fully loaded with an abundance of multi function features like, multiple interface options and connectivity, various display configurations, RS-232C for multiple monitor control via our user friendly control management s/w.

» View More

FULL HD 1080p

The clarity of Full HD with the option to reduce brightness levels creates a more productive environment for security professional viewing multiple screens. Larger screens with 'Picture by Picture' (PBP) and 'Picture in Picture' (PIP) capability enable more locations to be viewed on one screen, reducing capital outlay and increasing viewing efficiency.

» HD Inputs



With the Full range of HD inputs – HDMI & DVI as standard, with optional HD-SDI, bring Full HD high brightness, high contrast viewing to broadcast applications, ensuring production staff, clients and other interested parties enjoy a true representation of content.

» Visual Impact



Exceptional high brightness and wide viewing angles combined with the incredible visual impact of Full HD images make these ideal for reception areas, boardrooms, meeting rooms, concourses in airports and conference centers. Durable design and power efficiency will reduce costs and ensure longevity, even in 24/7/365 operations.

» Reference Viewing



Provide affordable medical reference viewing at a larger size and higher quality than dedicated displays. They are also perfect for video conferencing, digital signage and meeting room displays in medical facilities.

SPECIFICATIONS

46RNC	
Bezel Width	
Bezel Open Area	11mm
Active Pixel Area	14.5mm
Display	
Screen Size	46 Inch
Max. Resolution	1920 x 1080 @ 60Hz
Active Display Area	1018.08 x 572.67 mm
Pixel Pitch	0.53025 x 0.53025 mm
Brightness	700cd/m ²
Contrast Ratio	4000 : 1
Aspect Ratio	16 : 9
Viewing Angle	178° / 178°
Display Color	16.7 Million
Response Time	< 8ms (Gray to Gray)
Video System	NTSC / PAL
Interface	
Video In / Out (BNC Type)	2 / 2
S-Video In / Out	1 / 1
VGA In (15Pin D-Sub)	1
DVI-D In / HDMI In	1 / 2
Audio In (RCA Type)	3 (L+R)
PC Stereo In	1
Component In	1
RS232 In / Out	1 / 1
Audio	
Built In Speaker	10W x 2
Transmitter	
IR Remote Control	Yes
Features	
Picture In Picture (PIP)	Analog / Digital
Picture By Picture (PBP)	BNC / BNC
Enhanced Picture	3D Comb Filter / Deinterlace / Noise Reduction
Auto Fan Control System	Yes
Auto Pixel Shift	Yes
Trigger Source Switching	Yes
Auto Source Switching	Yes
Multi Language	English, Korean, Japanese, Spanish, French, German, Italian
RS-232C Control	Monitor OSD control using PC
Outline Dimension	
Dimension (W x H x D)	41.33" x 23.74" x 4.87"
Net. Weight	32.2Kg (71.0lbs)
Warranty	
Part / Labor	2year / 2year
MTBF (Approx.)	50,000 Hours
Regulations	
Electronic	RoHS, TUV-NRTL (=UL), CB, FCC (A), CE-Emc (LVD)
Circumastance	
Operating Temperature	0 ~ 50°C / 32 ~ 122°F
Power	
Electrical Ratings	AC 100 ~ 240V (50/60Hz)
Power Consumption	260W
Mount	
VESA™ Mount Size	400 x 200mm
Video Wall	WFS, WES, WSD
Stand Alone	WB-4663

*Design and specifications are subject to change without notice

SOFTWARE

Control Management S/W features:

- » Extremely easy to use
- » Control each display Separately or All at once
- » Select input source
- » Menu lock out (IR or panel)
- » Power control – On / Off
- » Color setting (RGB) & Brightness
- » Sound On / Off & volume adjustment

HARDWARE

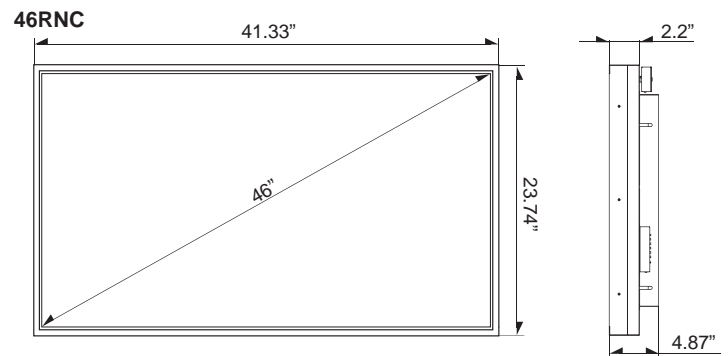
Hardware features:

- » 1080p Full HD High Resolution Native 1920 x 1080p
- » Stylish Slim & Ultra Slim Bezel Design
- » Remote Display Management
- » Landscape and Portrait
- » HDMI In 2, DVI-D In 1, VGA In 1, BNC Video In / Out
- » RS-232C In / Out for pc / server control
- » Control panel Lock (panel or IR)
- » All metal chassis
- » Auto power recovery
- » Auto pixel shift
- » PIP / PBP – Dual signal In
- » VESA standard hole patterns

INTERFACE



DIMENSIONS



MOUNTS

