

# ScanPal® 2

## OPERATIONAL

### System

CPU	16-bit CMOS, low power consumption
Program Memory	1 MB flash ROM
Data Memory	1 MB SRAM
Display	LCD - 128 x 64 pixels, back-lit
Resolution	8 lines x 20 characters (max), 4 lines x 15 characters (min)
Keypad	21 rubber keys; alpha/numeric, function, scanner
Indicators	Buzzer - programmable audible indicator (1 KHz - 4KHz) LED - Dual-color, programmable green and red

### Scanner

Light Source	610 nm - 623 nm LED
Minimum Bar Width	0.102 mm (4 mil)
Width of Scan Field	124 mm (4.9") @ 160 mm (6.3")
Depth of Scan Field	30 mm - 160 mm (1.2" - 6.3") for 0.33 mm (13 mil) bar codes
Scan Speed	100 scans/sec
Decode Capability	Autodiscriminates all standard bar codes; for other symbologies call Metrologic

### Communication

RS-232	Transmission speed up to 115.2 K bps
IrDA or High Speed Ir	Transmission speed up to 115.2 K bps
Keyboard Wedge	Transmitted as PC keyboard data
Application Development	Windows-based Application Generator; optional C & BASIC compilers

## MECHANICAL

Length	145 mm (5.7")
Width	63 mm (2.5")
Height	33.5 mm (1.3")
Weight	180 g (6.3 oz) - including batteries

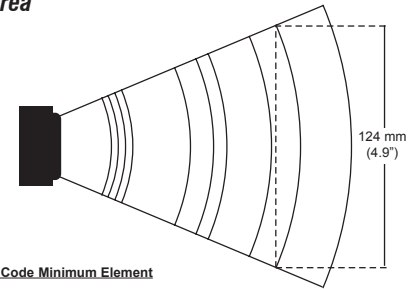
## ELECTRICAL

Battery Operation	Two "AAA" batteries; optional one Ni-MH rechargeable battery
Battery Backup	3.0V, 7.0mA hours, rechargeable lithium battery
Operation	Over 100 hours (with two "AAA" batteries)
EMC regulation	FCC Class A, CE and C-Tick approved

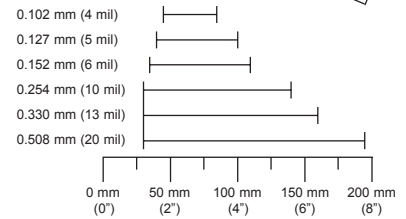
## ENVIRONMENTAL

Operating Temperature	-20°C to 60°C (-4°F to 140°F)
Storage Temperature	-30°C to 70°C (-22°F to 158°F)
Humidity	5% to 95% relative humidity, non-condensing
Shock resistance	1.2 m (4') drop onto concrete
Light Levels	Up to 2,500 Lux (232 footcandles)
Contaminants	Sealed to resist airborne particulate contaminants
Ventilation	None required

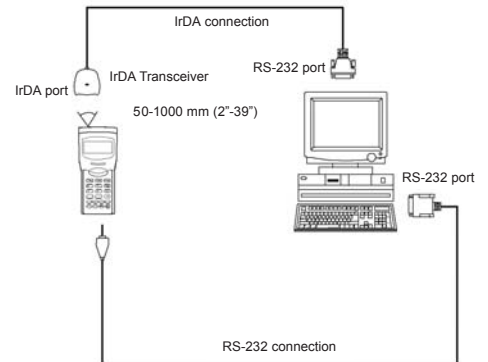
## Scan Area



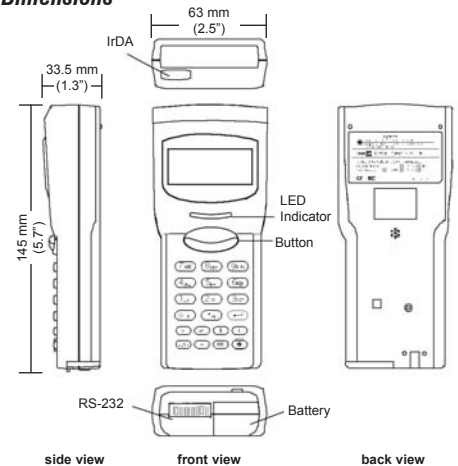
### Bar Code Minimum Element



## RS-232 or IrDA Connection



## Dimensions



www.metrologic.com

**USA**  
Tel. 1.800.ID.METRO  
info@metrologic.com

**Asia**  
Tel. 65.6842.7155  
info@sg.metrologic.com

**AOA (only)**  
Tel. 1.617.806.1400  
info@aoa.metrologic.com

**China (only)**  
Tel. 86.512.62572511  
info@cn.metrologic.com

**South America**  
Tel. 55.11.5182.7273  
info@sa.metrologic.com

**Japan (only)**  
Tel. 81.03.3839.8511  
info@jp.metrologic.com

**Brazil (only)**  
Tel. 55.11.5182.8226  
info@br.metrologic.com

**Europe**  
Tel. 49.89.89019.0  
info@europe.metrologic.com

Metrologic Instruments, Inc. | 90 Coles Road | Blackwood, NJ 08012-4683  
Telephone 856-228-8100 or 1-800-ID-METRO | Fax 856-228-6673

Specifications subject to change without notice.  
Printed U.S.A., Copyright November 2002  
Metrologic, All rights reserved.



DSSCANPAL2



ScanPal® 2 is a compact, portable data collection terminal designed for daily use in applications such as inventory/stock control, shipping/receiving, and more.

## ScanPal® 2

### Features

- Capable of storing over 50,000 records
- Easy to use Application Generator and download software (included)
- Supports C and Basic programming
- 2 'AAA' batteries provide over 100 hours of operation
- Easy to read, backlit LCD screen
- CCD scan engine
- Optional rechargeable batteries and charging cradle
- Upload via RS232, Keyboard Wedge, IR or wireless IrDA

**Metrologic's ScanPal 2** is a light-weight, portable data collection terminal, designed for all-day, everyday use. The compact design allows the user single handed operation, ease of use, and durability.

A brightly lit LCD graphics screen with built-in contrast control allows the user to adjust the brightness of the screen, enabling it to be read perfectly, in all lighting conditions. The font size on the display can be specified as either small font (20x8 characters), or large font (15x4 characters).

Using two standard 'AAA' batteries, the ScanPal 2 provides over 100 hours of operation. The 1MB SRAM allows for approximately 50,000 records to

be stored in ScanPal 2's memory. Uploading the collected data is quick and easy via RS232, IR, IrDA, or Keyboard Wedge data transmission.

Each ScanPal 2 contains an easy-to-use, but comprehensive Windows®-based application generator and downloading utilities. BASIC and C compilers are also available for advanced programming.

There are a multitude of applications in which ScanPal 2 performs including inventory/stock control, shipping and receiving, document monitoring, factory floor data collection, shelf price audits, price checking, asset tracking, warehousing and distribution operations.



## Three Easy Steps

### 1 Purchase and Support

ScanPal 2 is available for purchase through Metrologic's worldwide distribution partners and resellers.

Everything you need to begin collecting data electronically is in the ScanPal 2 kit, including, terminal, cable, batteries, comprehensive users manual and application generator.



### 2 Set up

Define your application - determine input fields and parameters that best suit your specific needs.

Create your own program using the Windows-based Application Generator (see next page). Download your program to the ScanPal 2 and you are ready to begin collecting data.



### 3 Begin Using ScanPal 2

**Collect data** - read bar codes, enter quantities or other characters as you defined in the set up process.

**Upload data** - uploading data to the host is made simple by communicating via RS232, IR, IrDA, or Keyboard Wedge.

**Use data** - for a diversity of applications.



## ScanPal 2 Accessories

**Protective Case**



**Download/Charger Cradle**



**High-Speed IrDA Transceiver**



**Battery Charger**  
(shown with NiMH Battery)





Line	Data type	Prompt	Input source	Min length	Max length	Lookup	Properties
#1	text	Item:	both	1	4	field 1	more...
#2	lookup	Desc.:	both	0	50	field 2	more...
#3	text	Bin:	both	1	5	field 3	more...
#4	integer	Qty:	keypad	1	5	field 4	more...
#5	nil		both	0	50	nil	more...
#6	nil		both	0	50	nil	more...
#7	nil		both	0	50	nil	more...
#8	nil		both	0	50	nil	more...

## Create your own program in minutes by using the "Application Generator".

The unique application generator feature allows the user to create custom data collection templates quickly and easily on a PC, without writing any program code. The user is presented with a terminal Window screen on the PC to simulate the program's running sequences on the actual terminal.

A new application can be designed on-screen in only a few minutes, downloaded to the terminal, and data collection can begin immediately.

### Prefer C or BASIC code?

*C and BASIC compilers are available!*

### Have an existing PDT environment?

*ScanPal 2 is easily integrated!*

### Form

A "Form" is a data collection template with input prompts. Length and data type for each input field can be specified. Each form can have up to 8 input fields.

### Menu

A "Menu" is a list of selection items. Up to 10 different menus can be defined.

### Lookup

A "Lookup" file is a database file created for information reference. Up to three lookup files can be created.

### Bar Code

The "Bar Code" section describes user configurable parameters pertaining to bar code symbologies.

### Settings

"Settings" allows the user to define a password, enable/disable security checking, configure the system settings, and configure the settings for keyboard wedge.

### Startup

The "Startup" section allows users to specify what is to be executed first when the program starts, specify delimiters for data fields and redefine system prompts/messages.

## Metrologic Offers A Full Line of Auto ID Solutions

POS Scanners



PDT



OEM Scan Engines



Industrial Scanners



Camera/Vision Based Systems

