

LC8700 Series

High Performance Retail Hardened Computers



- **Fanless and ventless operation**
- **Intel Atom CPU 1.66GHz, 512KB L2 Cache**
- **Ultra compact - only 2"H x 8"W x 6"D**
- **No internal connecting cables and no internal moving parts for ultimate reliability with CF mass storage**
- **Enclosed in rugged die cast case**
- **Up to 2GB DDR2 SODIMM RAM**
- **Large number of available I/O ports: 7 USB 2.0, 4 serial, 1 VGA, 1 DVI-I, 1 Ethernet, PS/2 keyboard and mouse, 1 LPT, speaker out, microphone in, power input**
- **Mass storage: Compact flash and/or PATA/SATA hard disk drive**
- **System boot from CF, HDD, USB, or network**

Fanless and Reliable

Industrial computers need to be reliable, as they often are used for mission critical applications and not placed in an office environment. The Logic Controls LC8700 provides unparalleled reliability by being a fanless and ventless unit. It is an ideal computer for use in harsh environments with high levels of dust or oil or when fan noise is not desirable. For enhanced reliability, all of the computer components and connectors reside on one PC board. The LC8700's single board computer limits the number of internal cables, a common source of loose connections and failures. A true no-moving-part operation is provided when compact flash is used for mass storage or boot-from-network configurations are employed.

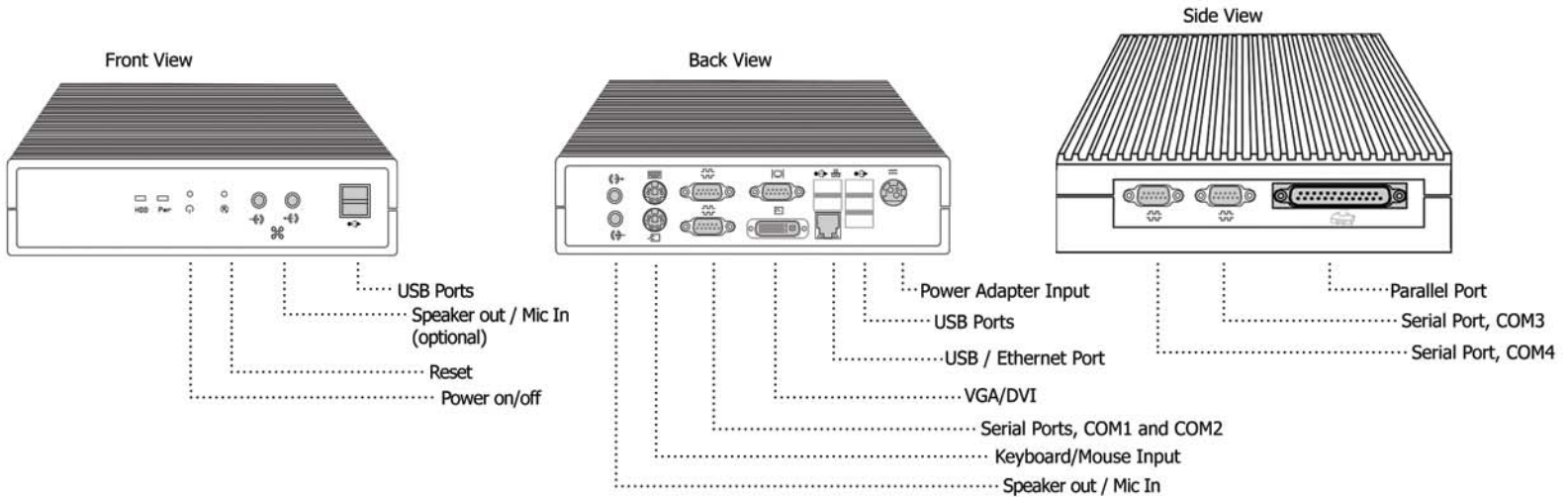
Ultra Compact & Rugged

The LC8700 has a very compact form factor – only 2"H x 8"W x 6"D. Two mounting tabs enable these modules to be mounted almost anywhere – on a wall, ceiling, table top or under a counter. For minimum foot-print, the LC8700 can be mounted vertically. The computer is housed in a rugged die cast case for extra protection.

Full Compliment of I/O Ports

The LC8700 provides a very impressive compliment of modern and legacy I/O ports. Up to 4 serial, 7 USB 2.0, 1 VGA, 1 DVI-I, 1 parallel, 1 Ethernet, PS/2 keyboard and mouse, microphone and speaker ports are all available. Hence industrial applications that require serial or parallel interfaces are fully addressed. The LC8700 also uses Intel high performance processors, so it can run all Windows and Linux-based graphics and video applications. Whether your application runs on Windows 7, Windows Vista, Windows XP, Windows XP embedded, Windows CE, POSReady or Linux, your operating system needs are supported by the LC8700. This enables the unit to be used in a wide variety of applications – in a restaurant's kitchen system, in a POS workstation, in an auto ID workstation, etc.

LC8700 SERIES RETAIL HARDENED COMPUTER SPECIFICATIONS



SYSTEM

Processor	Intel Atom Processor N450 1.66GHz, 667MHz FSB, 512KB 8-way L2 Cache
BIOS	4M bit Flash BIOS
Memory	Up to 2GB DDR2 SODIMM, support for DDR2 667MHz
Mass Storage	1 interface for Compact Flash storage (50 pins) 2 SATA Controller with independent DMA option for both ports: Support SATA II; 15+7 pin SATA connector. Single channel integrated (IDE) controller (2.5" HDD). Supports Ultra ATA 100/66/33; Master and slave configuration selectable
Video	Up to 1400 x 1050 pixels (SXGA); optional secondary DVI-I interface (1280 x 1024)
Network Interface	1 10/100 Mbps interface Ethernet with standard RJ45 connector;
Keyboard/Mouse	PS2 connector for keyboard and mouse port interfaces
USB Port	7 USB 2.0 ports; 1 USB 2.0 with pin header in back side (internal)
Serial Port	4 DB9 male ports with RS-232C port interface; full duplex; baud rate of 75 bps up to 128K bps; Power serial (pin 9) selected by BIOS (1 & 2) and jumper (3 & 4) and independent for each port. The following configurations should be possible: +12 V, +5 V, or Signal Ring
Parallel Port	1 interface with connector DB25 female in the left side (in the border)
Audio	Realtek high definition CODEC; double deck Jack on back side (one input for microphone and one output for speak); onboard buzzer
Expansion slot	Support Mini-PCIE cards such as WiFi card

ELECTRICAL

(External Switching Power Adapter - included)

Input	100 to 240VAC
Input frequency	50/60Hz
Input current	~1.5A
Output	+12VDC / 5.0A (+/-15%)

MECHANICAL

Weight	3.0lbs
Dimension (inches)	8.0W x 6.3D x 2.0H
Housing	Die cast

ENVIRONMENT

Operating temperature	5°C to 40°C
Relative humidity	8 to 80%, non-condensing
Storage temperature	0°C to 60°C
Relative humidity	5 to 80%, non-condensing

CERTIFICATIONS

FCC (Part 15B Class A), CE, RoHS